

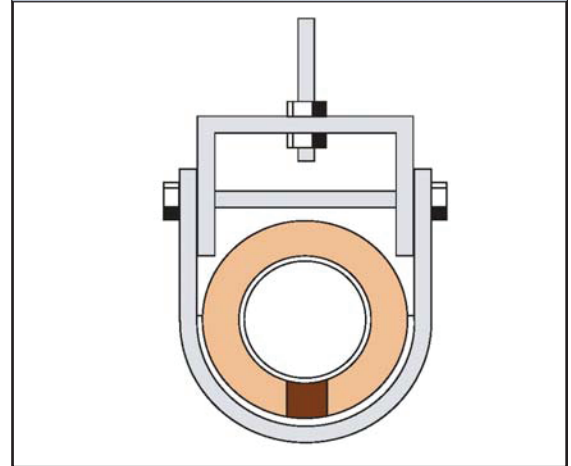
GLT Products Wood Blocks are used along with GLT Saddles to ensure that the pipe insulation does not compress at each hanger location. They are available in six sizes starting with ½" thru 2". For more information consult your sales associate.

## Features

- Choices of standard pinewood or hardwood
- Precision Cut - To accommodate various insulation thicknesses
- Professionally Packaged - For ease of handling at jobsite

## Applications

- GLT Product Wood Blocks are designed to support pipe sizes ranging from 1/2" to 30" outside pipe diameter.
- Can withstand pipe temperatures ranging from: -120°F to 350°F



### Recommended Installation Instructions

GLT Wood Blocks are placed inside the pipe insulation at the hanger location. Before applying the pipe insulation simply notch out the insulation with a knife and replace it with the appropriate size wood block (see sizing chart). Proceed by applying the pipe insulation to the pipe and then inserting the appropriate GLT Saddle.

Wood Block Sizing Chart	
Pipe Size	Wood Block Size (Length)
½" to 5"	6" Wood Block
6" to 8"	6" Wood Block
10" to 12"	9" Wood Block
14" to 24"	12" Wood Block

## Engineering guide specification

Whenever insulation passes through a hanger location, the GLT Wood Block shall be installed with appropriate saddle. The thickness of the wood block should equal the pipe insulation thickness.

Specifications subject to change without notice.

For more information on GLT Products, please call toll-free at 800.874.1748 or online at www.gltproducts.com.



### HEADQUARTERS:

6810 Cochran Road | Solon OH 44139 | 440.914.1122 | 440.914.1133 Fax | 1.800.874.1748

### DISTRIBUTION CENTERS:

**Ohio:** 6810 Cochran Road | Solon OH 44139 | 440.914.1122  
**North Carolina:** 501 West Camel Street | Greensboro, NC 27401 | 1.800.551.9760  
**California:** 4283 Pock Lane #200 | Stockton, CA 95206 | 1.800.833.4500  
**Texas:** 8905 Market Street | Houston, TX 77029 | 1.800.874.1748